



IsoFlex Technologies Pty Ltd.

Unit 33, 75 Waterway Drive, Gold Coast Marine Precinct, Coomera, Queensland, Australia. 4209
 Ph: 1300 366 393 Ph: 07 555 60 924 F: 07 555 60 984 Int prefix: 617
 Email: info@isoflex.com.au
 Home Page: www.isoflex.com.au

[Document: IFM-S-V7 (04/08)]

IsoFlex Engine Mounts - 'S type' (adjusting stud)

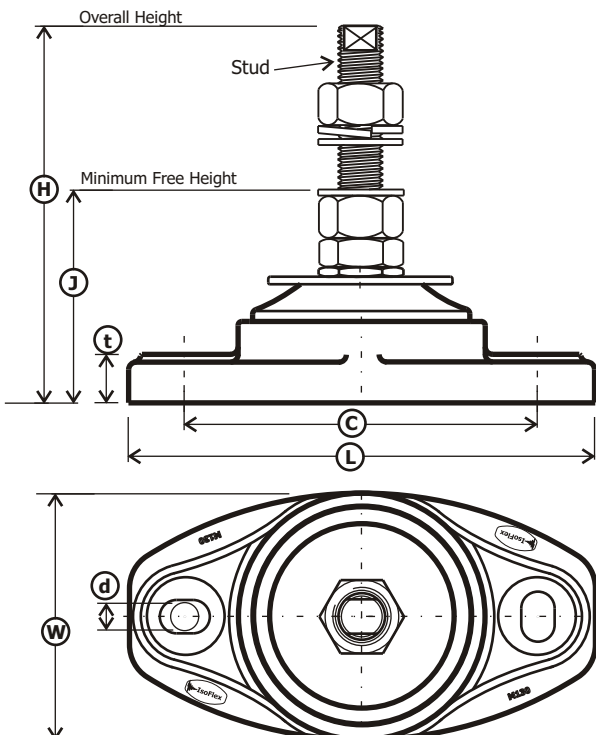
Mount Model	Recommended Working load* per Mount (kg)	Base Footprint L x W mm	Base Bolt Centres C mm (ins)	Base Bolt dia. d mm (ins)	No. Bolts	Base thick. t mm	Stud dia.	Minimum Free height J mm	Overall height H mm
M30-12S	20 - 75	110 x 65	75 (3")	M8 (5/16")	2	13	M12	60	97
MY30-16S	30 - 100	225 x 74	174	M12	2	17	M16	102	145
M50-12S	50 - 200	135 x 75	100-(4")-105	M10 (3/8")	2	15	M12	65	103
M50-16S	50 - 200	135 x 75	100-(4")-105	M10 (3/8")	2	15	M16	73	127
M70-16S	75 - 250	176 x 98	127-(5")	M12 (1/2")	2	17	M16	81	133
M70-20S	75 - 250	176 x 98	127-(5")	M12 (1/2")	2	17	M20	85	152
M80-16S	75 - 250	190 x 98	140-(5 1/2")	M12 (1/2")	2	17	M16	84	136
M80-20S	75 - 250	190 x 98	140-(5 1/2")	M12 (1/2")	2	17	M20	88	155
M90-20S	150 - 350	176 x 100	127-(5")	M12 (1/2")	2	20	M20	104	173
M90-24S	150 - 350	176 x 100	127-(5")	M12 (1/2")	2	20	M24	108	197
M100-20S	150 - 350	190 x 100	140-(5 1/2")	M12 (1/2")	2	20	M20	104	173
M100-24S	150 - 350	190 x 100	140-(5 1/2")	M12 (1/2")	2	20	M24	108	197
MD100-24S	300 - 700	300 x 100	250	M12 (1/2")	2	20	M24	135	232
M110-20S	150 - 350	220 x 106	170	M16	2	25	M20	134	191
M110-24S	150 - 350	220 x 106	170	M16	2	25	M24	138	214
M125HD-24S	250 - 750	240 x 127	170	M16	2	25	M24	140	217
M125XHD-24S	600 - 1000**	240 x 127	170	M16	2	25	M24	140	217
MD125HD-24DS	500 - 1500	367 x 127	308	M16	2	25	2x M24	140	217
MD125XHD-24DS	1200 - 2000	367 x 127	308	M16	2	25	2x M24	140	217
M127HD-24S	250 - 750	240 x 127	182	M16	2	25	M24	140	217
M127XHD-24S	600 - 1000**	240 x 127	182	M16	2	25	M24	140	217
M130HD-20S	250 - 750	240 x 127	180-182	M16	2	25	M20	104	171
M130HD-24S	250 - 750	240 x 127	180-182	M16	2	25	M24	110	194
M130XHD-24S	600 - 1000**	240 x 127	180-182	M16	2	25	M24	110	194
M130RV-24S	250 - 750	240 x 127	180-182	M16	2	25	M24	194	185
M135-24S	300 - 900	240 x 145	182	M16	2	25	M24	140	217
M135HD-24S	600 - 1200**	240 x 145	182	M16	2	25	M24	140	217

** Proof Load Tested to 5,000kg.

* Recommended Working loads shown are indicative only, contact IsoFlex for Data Sheets with drawing, load deflection graph & product photograph.

All mount series are tested in Axial, Longitudinal(Thrust), Lateral & Inverted modes

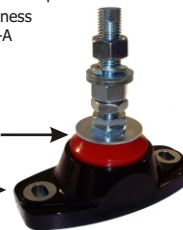
IsoFlex for: FLEXIBILITY with STABILITY



All metal components silver zinc plated

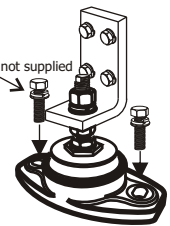
Resilient Element	Hardness SDH-A
Yellow	50
Red	60
Black	70
Dark Blue	75
Green	80

Base (Black)



Model: M110-24S(60)

Note: base bolts not supplied



Note: Nomenclature for double mounts.

Model: MD100-24S

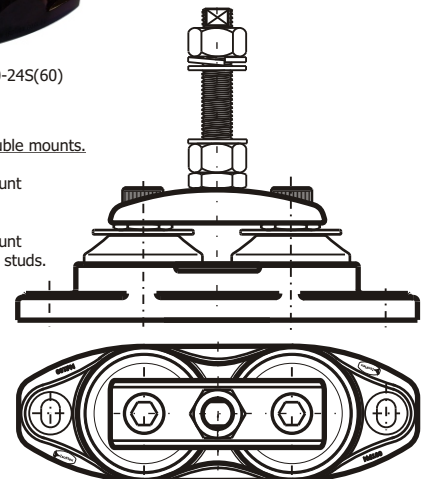
'D' denotes double core mount

with 1x adjusting stud.

Model: MD125-24DS

'D' denotes double core mount

& 'DS' denotes 2x adjusting studs.



Model: MD100-24S