



IsoFlex Technologies Pty Ltd.

Unit 33, 75 Waterway Drive, Gold Coast Marine Precinct, Coomera, Queensland, Australia. 4209
 Ph: 1300 366 393 Ph: 07 555 60 924 F: 07 555 60 984 Int prefix: 617
 Email: info@isoflex.com.au
 Home Page: www.isoflex.com.au

[Document: IFC-V3 / 8-08]

IsoFlex Flexible Disc Transmission Couplings

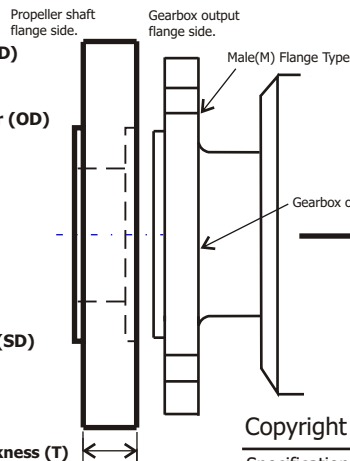
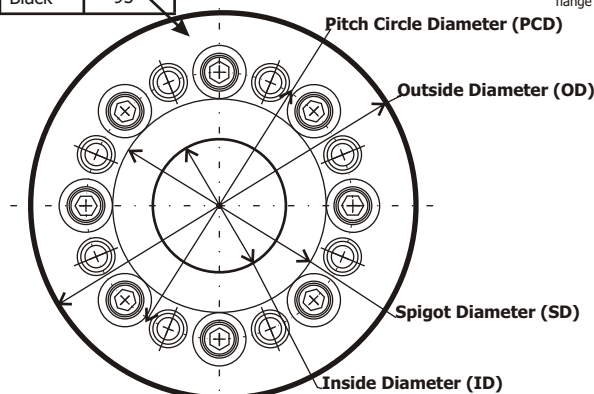
Coupling Model	PCD mm (ins)	No & Size Bolts N x D	Spigot Dia SD mm (ins)	Flange Type M -(Male) F -(Female)	Outside Dia. OD mm (ins)	Inside Dia. ID mm (ins)	Thickness T mm (ins)	Ratings* [Nm]		
								Cont	Inter	PC
IFC4200(90)	78	4x M10	50	F	125	35	25	400	600	680
IFC4300(90)	3 1/4"	4x 3/8"	63.5(2 1/2")	F	125	35	25	400	600	680
IFC4300(95)	3 1/4"	4x 3/8"	63.5(2 1/2")	F	125	35	25	490	735	833
IFC4400(90)	100	4x M10	65	F	145	50	25	512	770	870
IFC4400(95)	100	4x M10	65	F	145	50	25	630	945	1050
IFC4500(90)	4 1/4"	4x 7/16"	63.5(2 1/2")	F	150	45	28.6(1 1/8")	550	825	935
IFC4500(95)	4 1/4"	4x 7/16"	63.5(2 1/2")	F	150	45	28.6(1 1/8")	675	1000	1150
IFC4600(90)	80	4x M10	60	M	125	35	25	400	600	680
IFC4600(95)	80	4x M10	60	M	125	35	25	490	735	833
IFC4700(90)	3 3/4"	4x 7/16"(rect)	2 3/4"	F	135	50	32(1 1/4")	350	525	595
IFC4700(95)	3 3/4"	4x 7/16"(rect)	2 3/4"	F	135	50	32(1 1/4")	560	840	950
IFC4800(90)	3 1/8"	4x 3/8"(rect)	60.325(2 3/8")	F	125	35	25	310	465	525
IFC4900(95)	120.6 (4 3/4")	4x 1/2"(rect)	95.25(3 3/4")	F	175	50	36.5	1,200	1,800	2,000
IFC6000(95)	3 7/8"	6x 7/16"	63.5(2 1/2")	M	150	50	32(1 1/4")	1,350	2,025	2,295
IFC6100(95)	120.6 (4 3/4")	6x 1/2" UNC	76.2 (3")	M	160	60	38.1 (1 1/2")	2,200	3,300	3,740
IFC6125(95)	120.6 (4 3/4")	6x 1/2" UNC	76.2 (3")	F	160	60	38.1 (1 1/2")	2,200	3,300	3,740
IFC6150(95)	120.6 (4 3/4")	6x M16 SHCS**	76.2 (3")	M	160	60	38.1 (1 1/2")	2,200	3,300	3,740
IFC6300(95)	152.4 (6")	6x M16 SHCS**	95.25(3 3/4")	M	212	73	38.1 (1 1/2")	3,750	5,625	6,375
IFC6400(95)	152.4 (6")	6x M16 SHCS**	95.25(3 3/4")	M	195	73	38.1 (1 1/2")	3,000	4,500	5,100
IFC8100(95)	190.5 (7 1/2")	8x M16 SHCS**	152.4 (6")	M	275	95	38.1 (1 1/2")	6,500	9,750	Not Applicable
IFC8200(95)	190.5 (7 1/2")	8x M16 SHCS**	152.4 (6")	M	242	95	38.1 (1 1/2")	4,930	7,395	Not Applicable
IFC8233(95)	190.5 (7 1/2")	6x M16 SHCS**	152.4 (6")	M	242	95	38.1 (1 1/2")	4,930	7,395	Not Applicable
IFC8300(95)	152.4 (6")	8x M16 SHCS**	95.25(3 3/4")	M	195	73	38.1 (1 1/2")	3,000	4,500	Not Applicable
IFC8400(95)	200	8x M16 SHCS**	110	M	275	75	38.1 (1 1/2")	6,500	9,750	Not Applicable
IFC8500(95)	222.25 (8 3/4")	8x M20	127(5")	M	315	75	45 (1 3/4")	8,500	12,750	Not Applicable
IFC8534(95)	222.25 (8 3/4")	8x 3/4" UNC	127(5")	M	315	75	45 (1 3/4")	8,500	12,750	Not Applicable
IFC8600(95)	230	8x M20	150	M	315	100	45 (1 3/4")	8,650	12,975	Not Applicable
IFC8690(95)	228.6 (9")	8x 3/4" UNC	152.4(6")	M	300	95	45 (1 3/4")	8,650	12,975	Not Applicable
IFC8695(95)	241.3 (9 1/2")	8x 3/4" UNC	152.4(6")	M	330	95	45 (1 3/4")	8,750	13,125	Not Applicable
IFC8700(95)	280	8x 7/8" UNC	200	F	355	75	50	10,000	15,000	Not Applicable
IFC8800(95)	340	8x 1" UNC	180	M	455	130	60	22,500	33,750	Not Applicable

Note 1: *Ratings [Nm] quoted are as follows:-
 Cont = Continuous rating (high duty cycle applications)
 Inter = Intermediate rating
 PC = Pleasure Craft rating

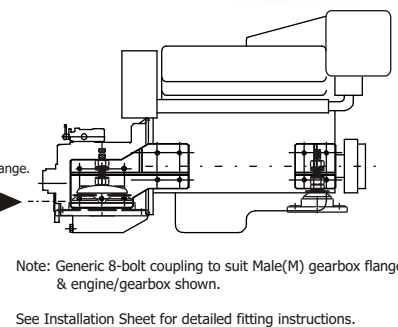
Note 2: All bolts are either 'Grade 5' or 'Grade 8' High Tensile specifications (see drawing)
 All metal components silver zinc plated

Note 3: (rect) = rectangular bolt pattern on pcd.

Coupling Colour	Hardness SDH-A	**Note: M16 to 3/4" steel 'T-Bushing' kit available for flanges with 3/4" dia holes. OR M16 to 7/8" steel 'T-Bushing' kit available for flanges with 7/8" dia holes.
Red	90	
Black	95	



IFC8200 coupling shown



IsoFlex for: FLEXIBILITY with STABILITY