



# IsoFlex Technologies Pty Ltd.

Unit 33, 75 Waterway Drive, Gold Coast Marine Precinct, Coomera, Queensland, Australia. 4209  
 Ph: 1300 366 393 Ph: 07 555 60 924 F: 07 555 60 984 Int prefix: 617  
 Email: info@isoflex.com.au  
 Home Page: www.isoflex.com.au

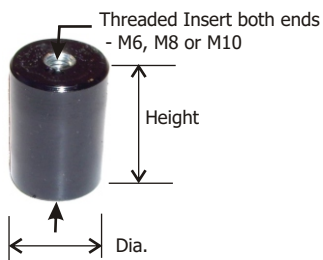
## IsoFlex Mount Specification Sheet: Light Machinery & General Purpose Mounts [GPM].

Mount Model	Recommended Working load* per Mount (kg)	Base Footprint L x W mm	Base Bolt Centres C mm (ins)	Base Bolt dia. d mm (ins)	No. Bolts	Base thick. t mm	Bolt dia. x length mm	Free Height J mm
<b>M5-6B</b>	6 - 20	70 x 40	50 (2")	M6	2	6	M6 x 20	18
<b>M6-6B</b>	8 - 28	91 x 52	65	M6	2	8	M6 x 20	20
<b>GPM7-12B</b>	30 - 150	112 x 64	75 to 89 (3 1/2")	M8	2	12	M12^	31
<b>GPM10-16B</b>	40 - 250	135 x 75	100 to 106	M12	2	15	M16^	45

\*Working loads stated are the range between (2.0 to 3.0mm) static deflection for each mount.  
 The working load per mount corresponding to 3.0mm static deflection should be regarded as the MAXIMUM allowable load.  
 Note: the max. capacity of the mounts = 1.5 x Working Load. Contact IsoFlex for data sheets.

### IsoFlex for: FLEXIBILITY with STABILITY

#### Cylindrical Mounts: CM6, CM8 & CM10



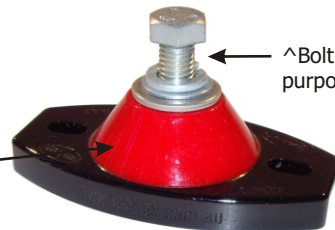
Mount Model	Recommended Working load per Mount (kg)	Thread dia mm	Diameter mm	Height mm
<b>CM6</b>	30	M6	22	32
<b>CM8</b>	40	M8	27.5	34.5
<b>CM10</b>	60	M10	30	40



**Example Mount Model: M6-6B**

'M6' = model number  
 '6' = thread size  
 'B' = bolt type

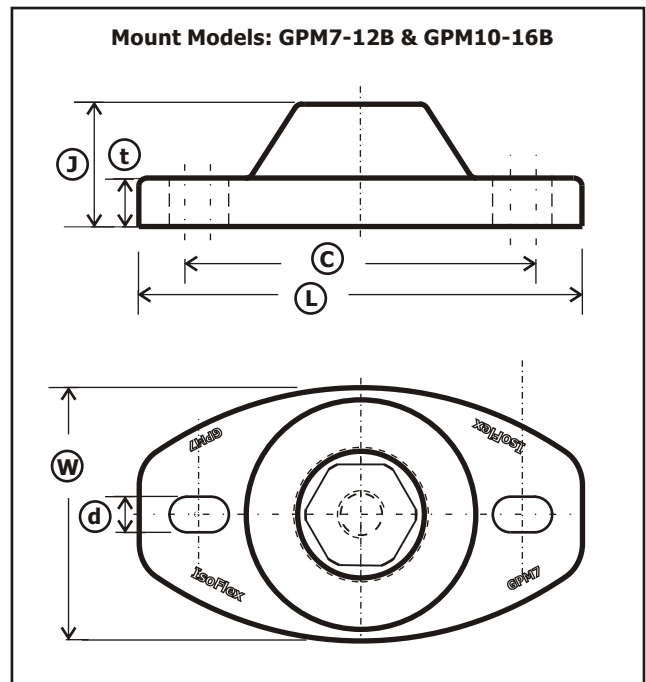
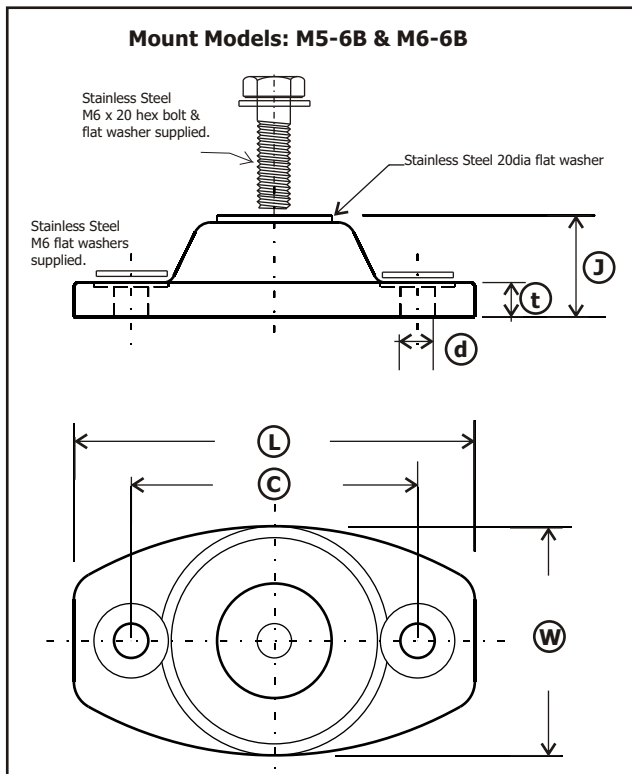
Mount Colour	Hardness SDH-A
Yellow	50
Red	60
Black	70
Royal Blue	75



**Example Mount Model: GPM7-12B**

'GPM7' = model number  
 '12' = thread size  
 'B' = bolt type

^Bolt shown for illustration purposes only [not supplied]



Dimensions in millimetres (mm.) - unless stated otherwise