



**IsoFlex Technologies Pty Ltd.**

Unit 5, 7 Waterway Drive, Gold Coast Marine Precinct, Coomera, Queensland, Australia. 4209  
 Ph: 1300 366 393 Ph: 07 555 60 924 F: 07 555 60 984 Int prefix: 617  
 Email: info@isoflex.com.au  
 Home Page: www.isoflex.com.au

**IsoFlex Mount Data Sheet**

**Loading:**

1. Axial - Vertical Down (A-direction)

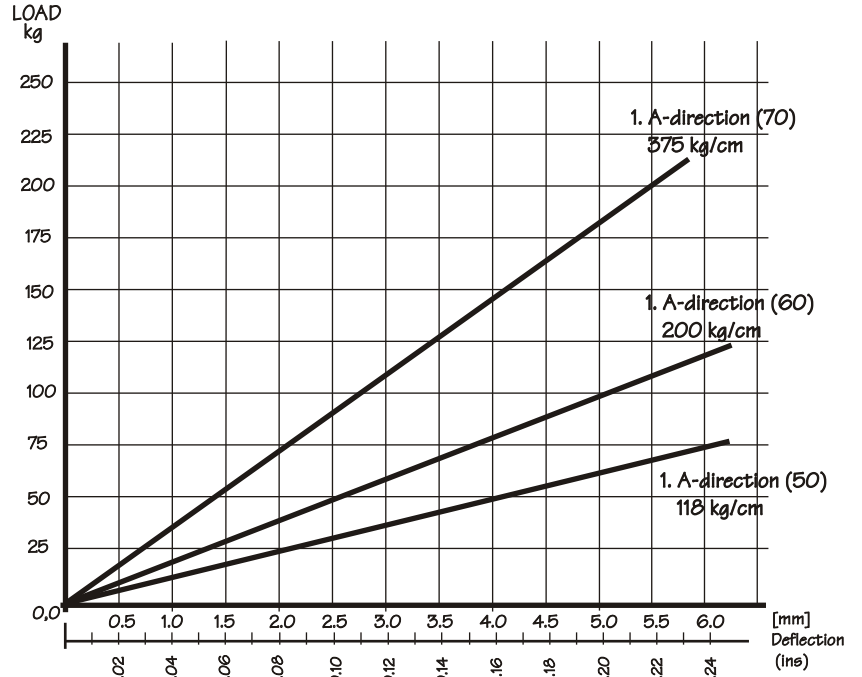
**Mount Model: MY30-16S**

'MY30' = model number  
 '16' = thread size  
 'S' = adjusting stud type

Resilient Element Colour	Shore Durometer Hardness A-scale SDH-A
Yellow	50
Red	60
Black	70

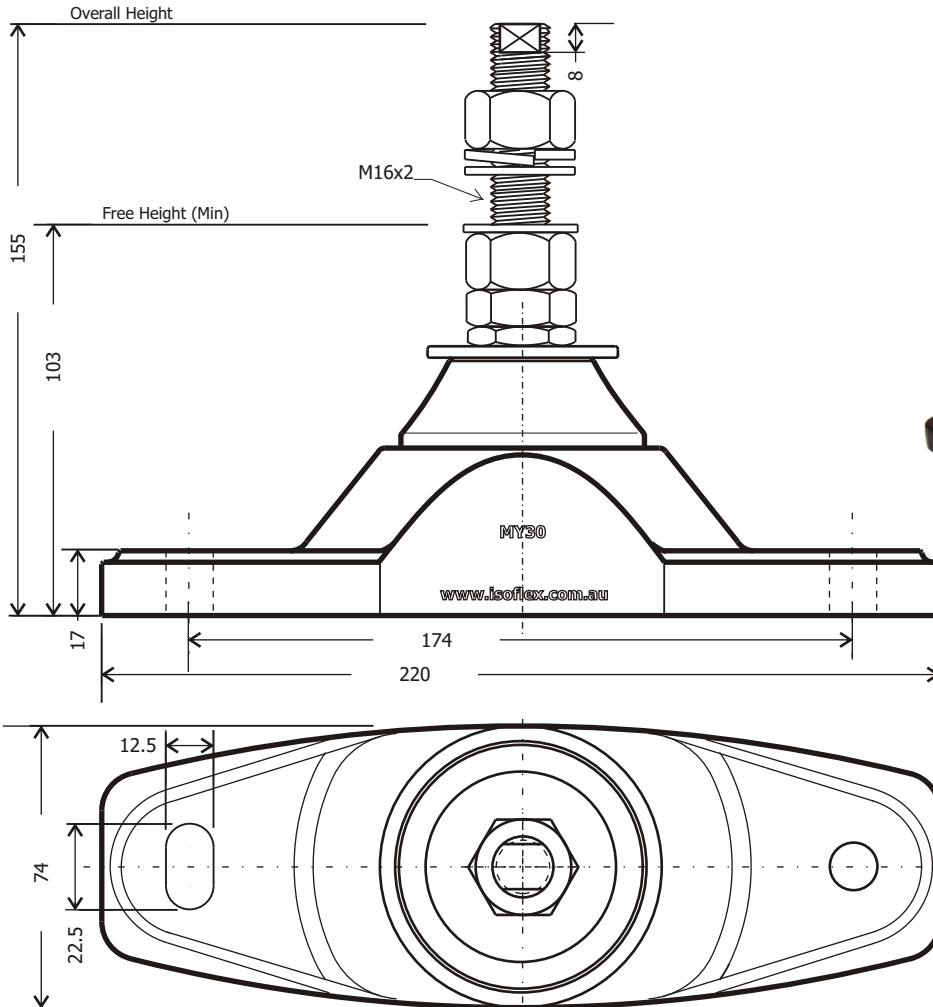
Base: Black - 75 SDH-D

All metal components silver zinc plated



Graph:

1. Static Axial Vertical Load[kg] (A-direction) versus Deflection[mm] (in<sub>s</sub>)



Model Number: MY30-16S(50)

MY30-16S General Arrangement

Dimensions in millimetres (mm.) - unless stated otherwise

Drawing number: DSA-MY30-16S  
 Drawn: PB Date: 7-6-06