



IsoFlex Technologies Pty Ltd.

Unit 5, 7 Waterway Drive, Gold Coast Marine Precinct, Coomera, Queensland, Australia. 4209
 Ph: 1300 366 393 Ph: 07 555 60 924 F: 07 555 60 984 Int prefix: 617
 Email: info@isoflex.com.au
 Home Page: www.isoflex.com.au

IsoFlex Mount Data Sheet

Loading Type:

Axial - Vertical Down (A-direction)

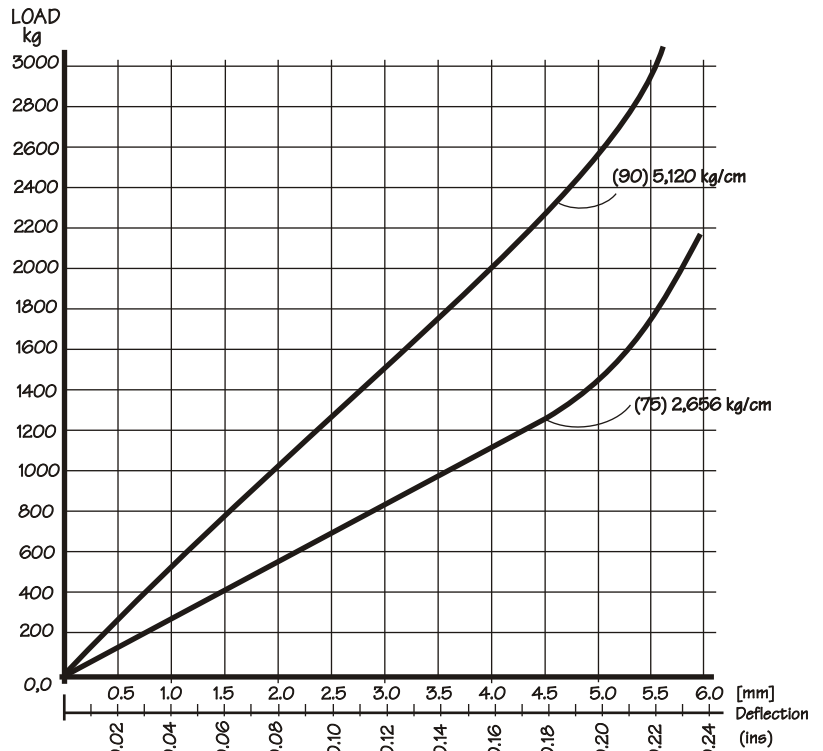
Mount Model: MD125HD-24DS+snubber

- 'MD125HD' = model number
- 'D' = double core mount
- '24' = thread size
- 'DS' = 2x adjusting stud type

Resilient Element Colour	Shore Durometer Hardness A-scale SDH-A
Yellow	50
Red	60
Black	70
Royal Blue	75
Green	80
Grey	90

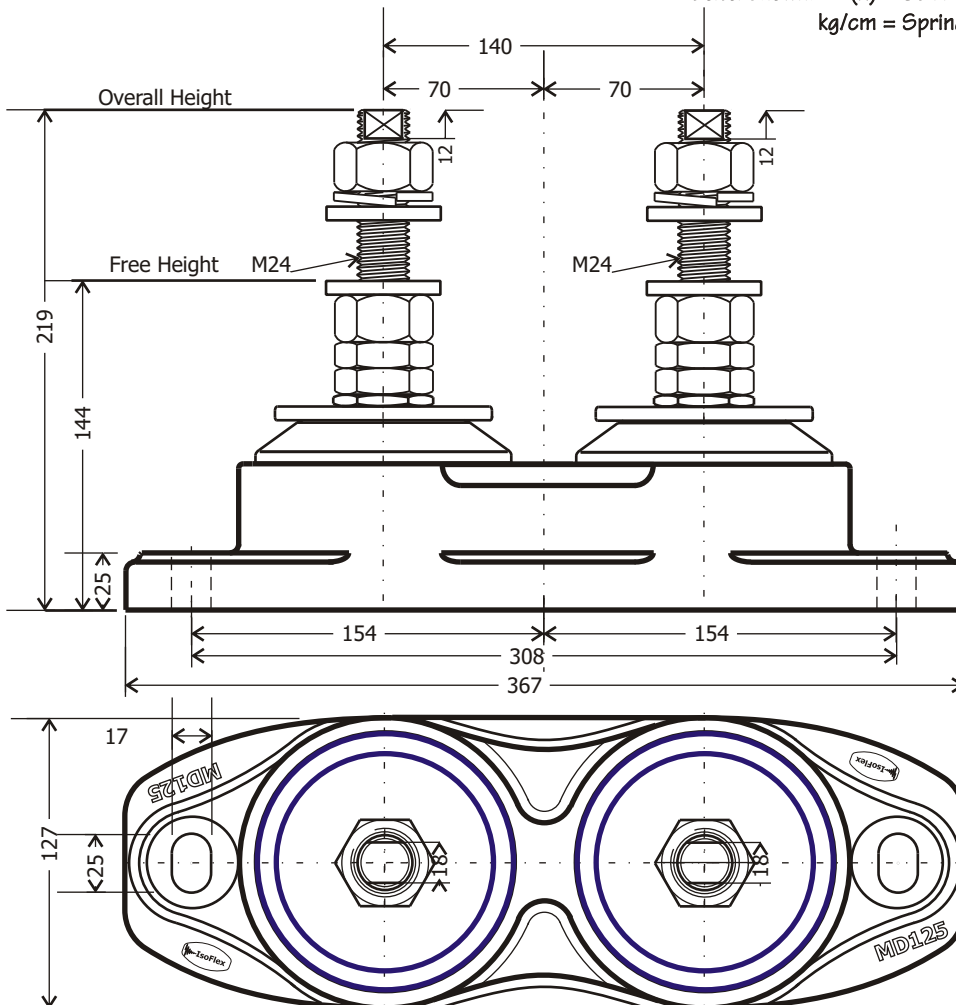
Base: Black - 75 SDH-D

All metal components silver zinc plated



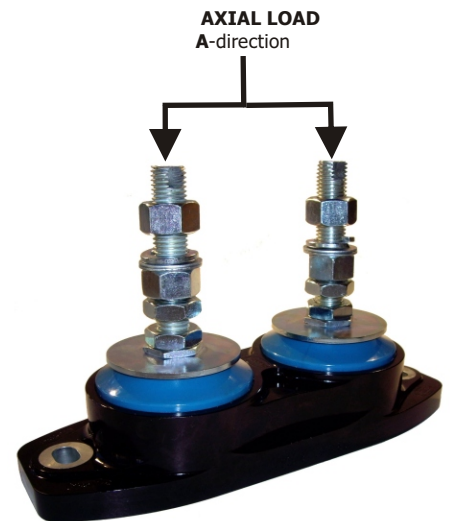
Graph 1: Static Axial Vertical Load [kg] (A-direction) versus Deflection [mm] (Inch)

Data shown: (x) = SDH-A Hardness
 kg/cm = Spring Rate



IsoFlex Mount Model: MD125HD-24DS

Dimensions in millimetres (mm.) - unless stated otherwise



Model Number: MD125-24DS illustrated

Drawing number: DSA-MDHD125-24DS+snubber(80)
 Drawn: PB Date: 19-3-07

Copyright © 2007

IsoFlex Technologies Pty Ltd.

Specifications are subject to change without notice.