



# IsoFlex Technologies Pty Ltd.

Unit 5, 7 Waterway Drive, Gold Coast Marine Precinct, Coomera, Queensland, Australia. 4209  
 Ph: 1300 366 393 Ph: 07 555 60 924 F: 07 555 60 984 Int prefix: 617  
 Email: info@isoflex.com.au  
 Home Page: www.isoflex.com.au

## IsoFlex Mount Data Sheet

### Loadings:

1. Axial - Vertical Down (A-direction)

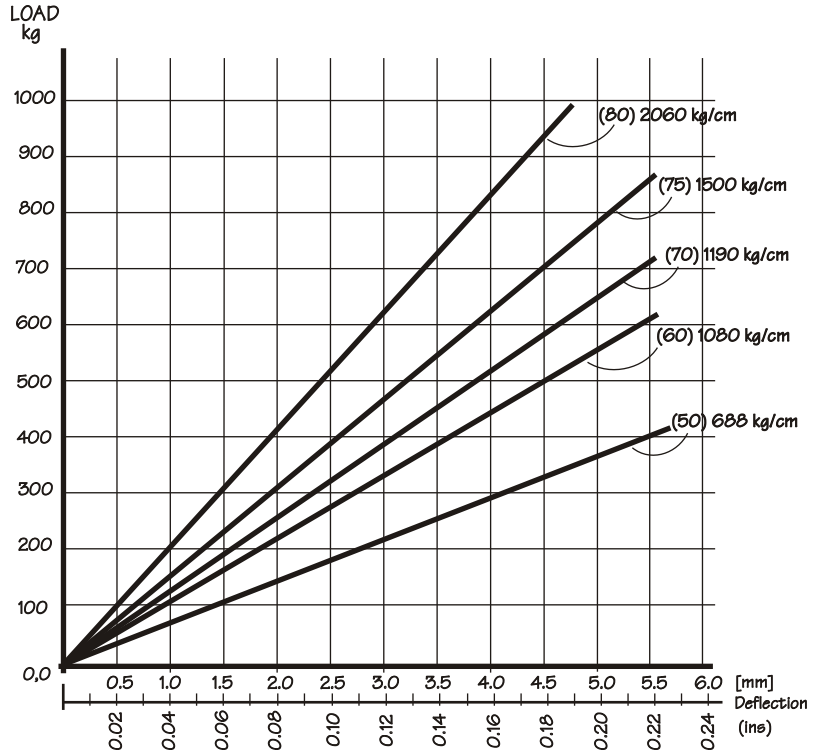
### Mount Model: MD100-24S

- 'MD100' = model number
- 'D' = double core mount
- '24' = thread size
- 'S' = adjusting stud type

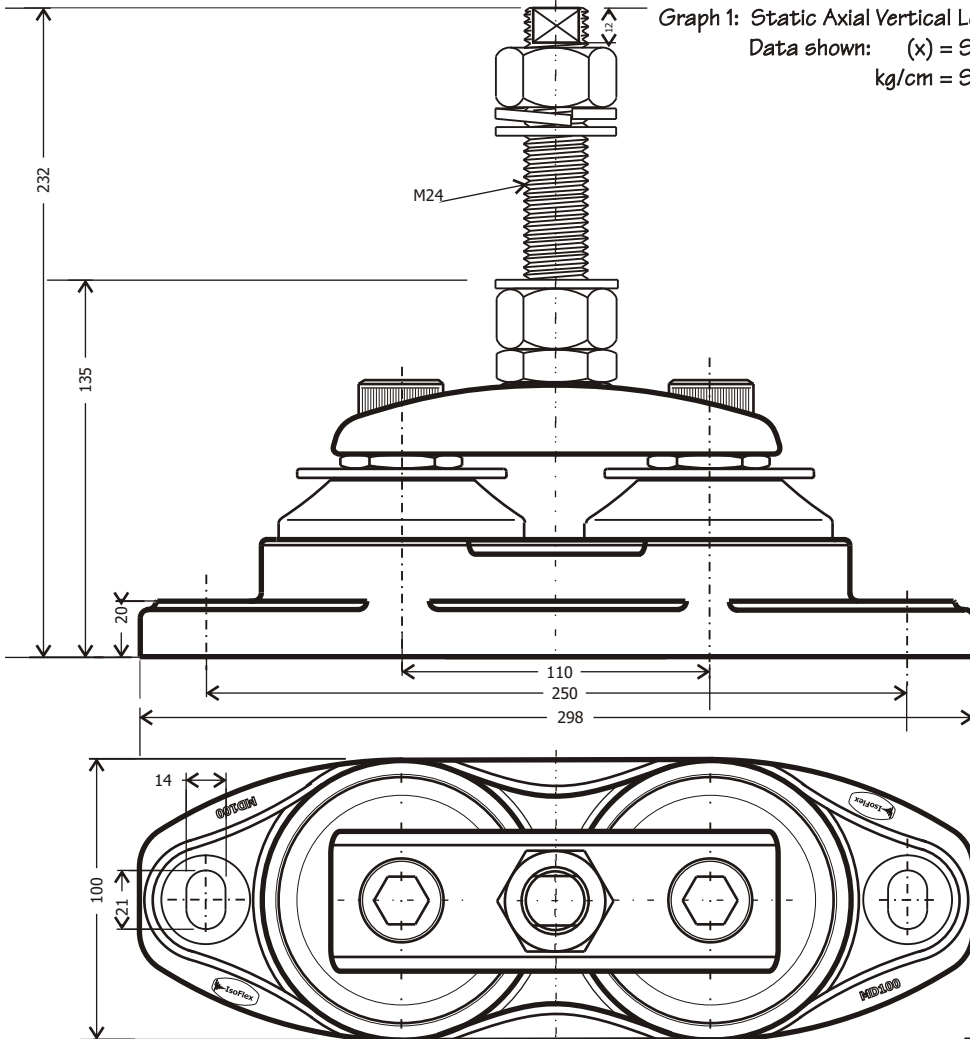
Resilient Element Colour	Shore Durometer Hardness A-scale SDH-A
Yellow	50
Red	60
Black	70
Royal Blue	75
Green	80
Grey	90

**Base:** Black - 75 SDH-D

All metal components silver zinc plated



Graph 1: Static Axial Vertical Load [kg] (A-direction) versus Deflection [mm] (ins)  
 Data shown: (x) = SDH-A Hardness  
 kg/cm = Spring Rate



MD100-24 General Arrangement



Model Number: MD100-24S

Drawing number: DSA-MD100-24S  
 Drawn: PB Date: 7-12-06

Dimensions in millimetres (mm.) - unless stated otherwise

Copyright © 2006 **IsoFlex Technologies Pty Ltd.**

Specifications are subject to change without notice.