



# IsoFlex Technologies Pty Ltd.

Unit 5, 7 Waterway Drive, Gold Coast Marine Precinct, Coomera, Queensland, Australia. 4209  
 Ph: 1300 366 393 Ph: 07 555 60 924 F: 07 555 60 984 Int prefix: 617  
 Email: info@isoflex.com.au  
 Home Page: www.isoflex.com.au

## IsoFlex Mount Data Sheet

### Loadings:

1. Axial - Vertical Down (A-direction)

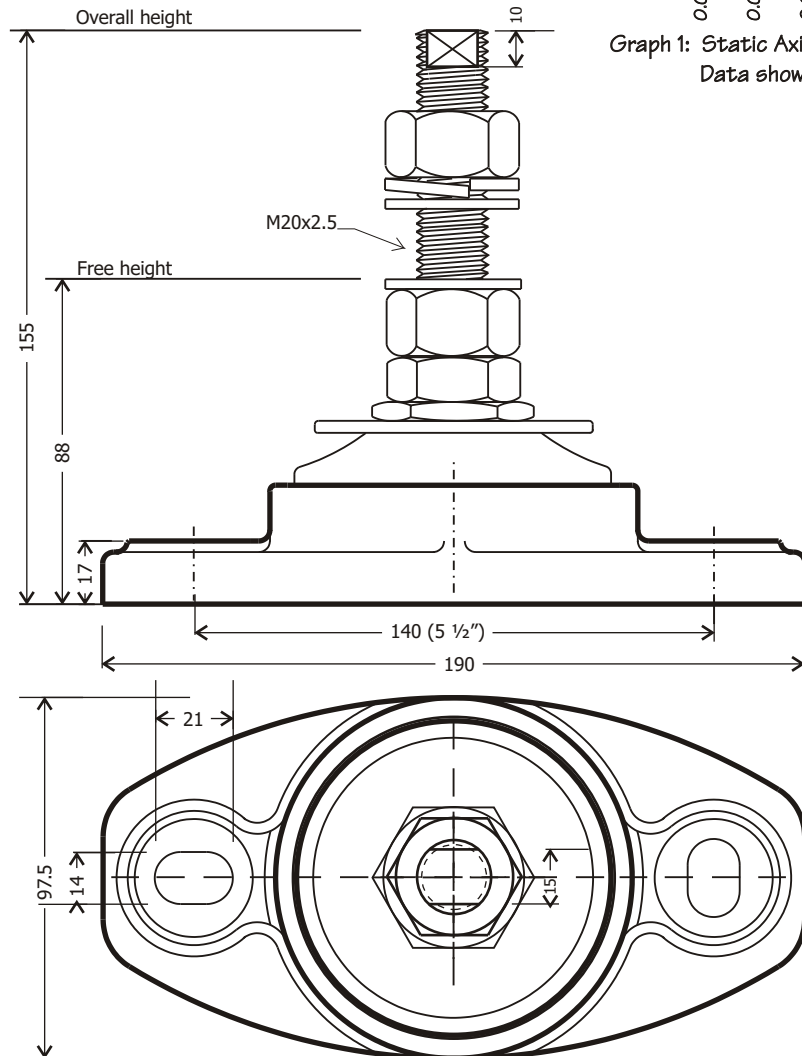
### Mount Model: M80-20S

'M80' = model number  
 '20' = thread size  
 'S' = adjusting stud type

Resilient Element Colour	Shore Durometer Hardness A-scale SDH-A
Yellow	50
Red	60
Black	70
Royal Blue	75

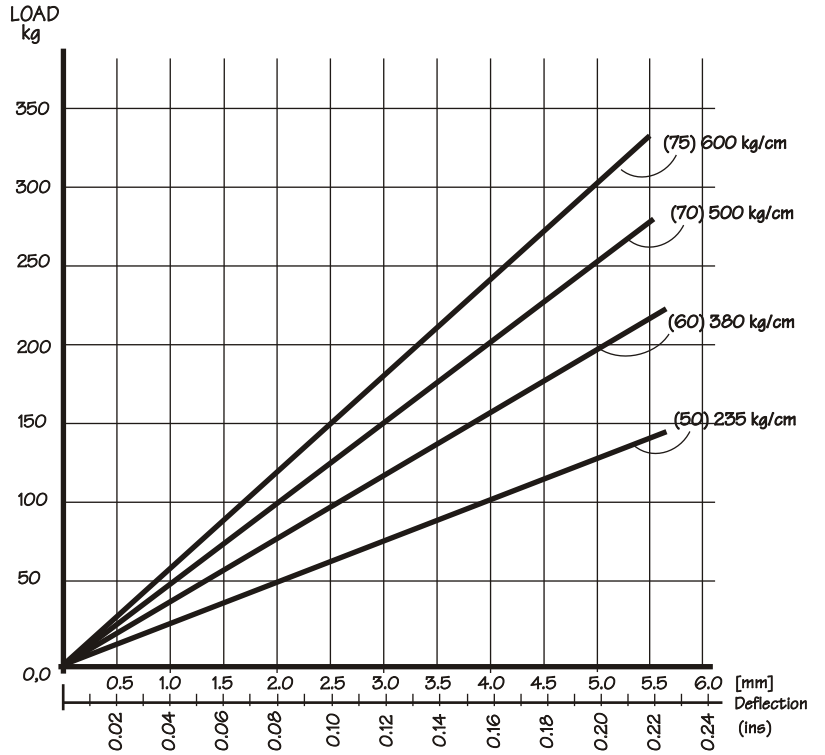
Base: Black - 75 SDH-D

All metal components silver zinc plated



M80-20S-General Arrangement

Dimensions in millimetres (mm.) - unless stated otherwise



Graph 1: Static Axial Vertical Load [kg] (A-direction) versus Deflection [mm] (in)  
 Data shown: (x) = SDH-A Hardness  
 kg/cm = Spring Rate



Model: M80-16S(60) shown

Drawing number: DSA-M80-20S  
 Drawn: PB Date: 10-10-06