



IsoFlex Technologies Pty Ltd.

Unit 5, 7 Waterway Drive, Gold Coast Marine Precinct, Coomera, Queensland, Australia. 4209
 Ph: 1300 366 393 Ph: 07 555 60 924 F: 07 555 60 984 Int prefix: 617
 Email: info@isoflex.com.au
 Home Page: www.isoflex.com.au

IsoFlex Mount Data Sheet

Loadings:

1. Axial - Vertical Down (A-direction)

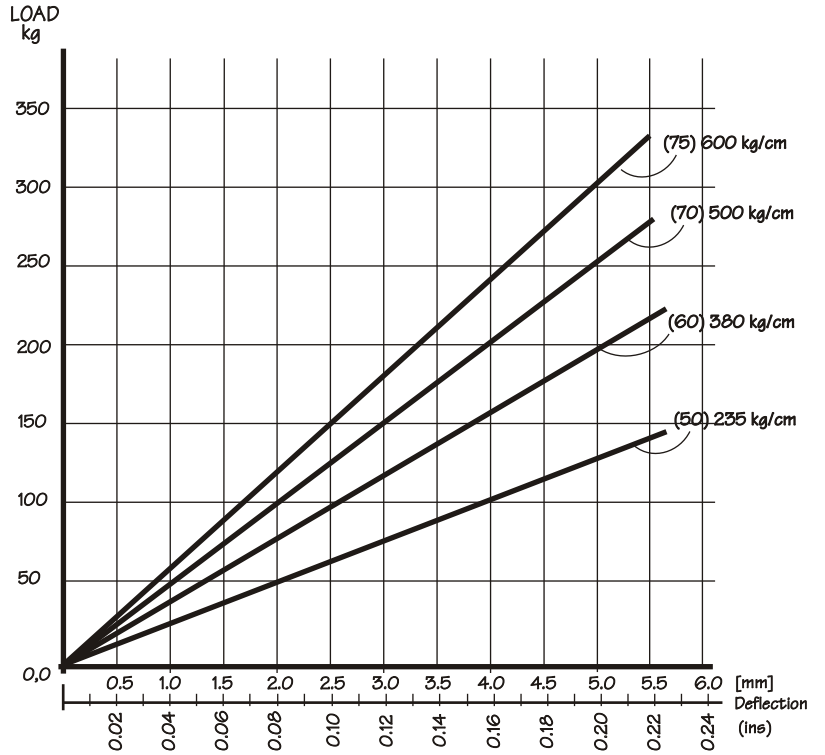
Mount Model: M80-16S

'M80' = model number
 '16' = thread size
 'S' = adjusting stud type

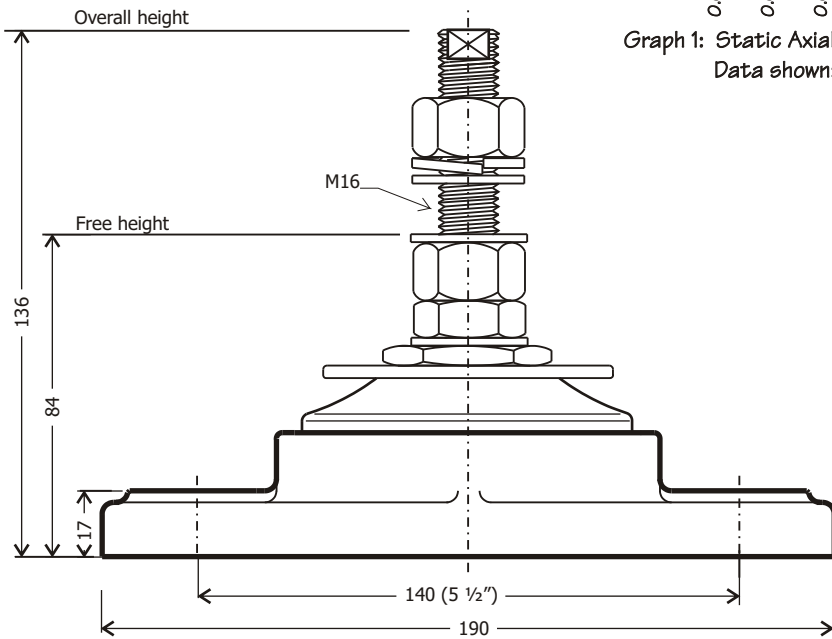
Resilient Element Colour	Shore Durometer Hardness A-scale SDH-A
Yellow	50
Red	60
Black	70
Royal Blue	75

Base: Black - 75 SDH-D

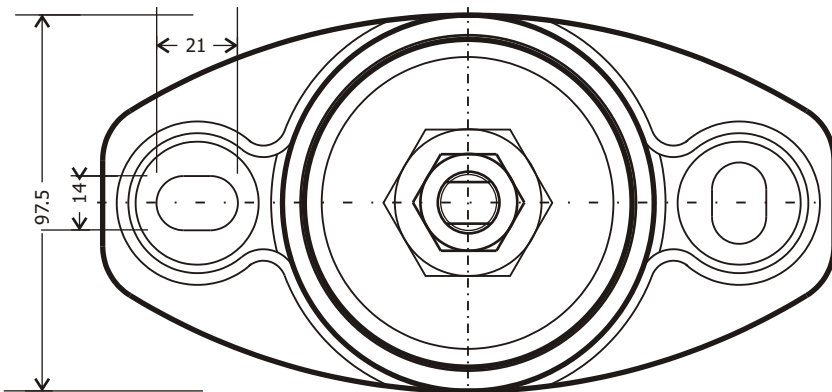
All metal components silver zinc plated



Graph 1: Static Axial Vertical Load[kg] (A-direction) versus Deflection[mm] (in)
 Data shown: (x) = SDH-A Hardness
 kg/cm = Spring Rate



Model: M80-16S(60) shown



M80-16S-General Arrangement

Dimensions in millimetres (mm.) - unless stated otherwise

Drawing number: DSA-M80-16S
 Drawn: PB Date: 10-10-06

Copyright © 2006 **IsoFlex Technologies Pty Ltd.**

Specifications are subject to change without notice.