



IsoFlex Technologies Pty Ltd.

Unit 5, 7 Waterway Drive, Gold Coast Marine Precinct, Coomera, Queensland, Australia. 4209
 Ph: 1300 366 393 Ph: 07 555 60 924 F: 07 555 60 984 Int prefix: 617
 Email: info@isoflex.com.au
 Home Page: www.isoflex.com.au

IsoFlex Mount Data Sheet

Loading:

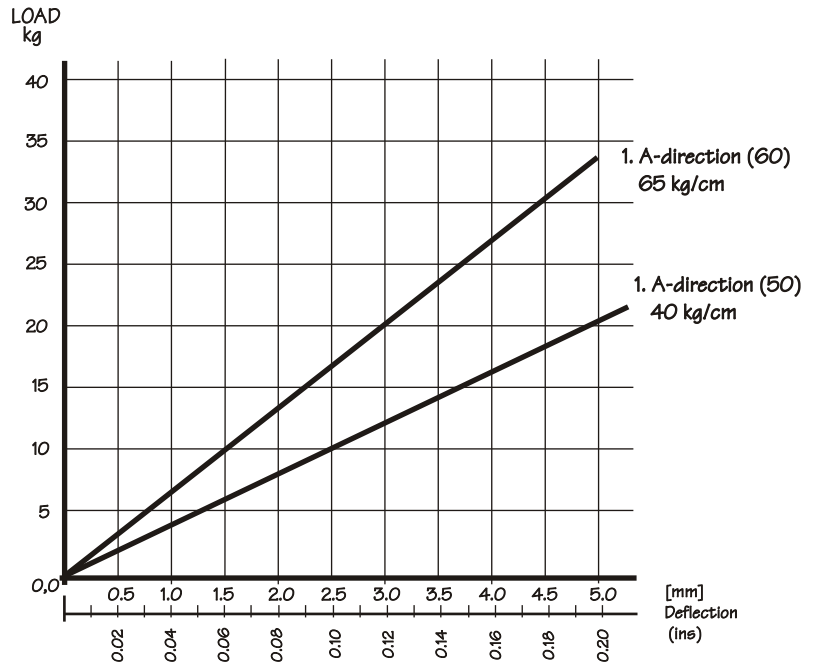
1. Axial - Vertical Down (A-direction)

Mount Model: M6-6B

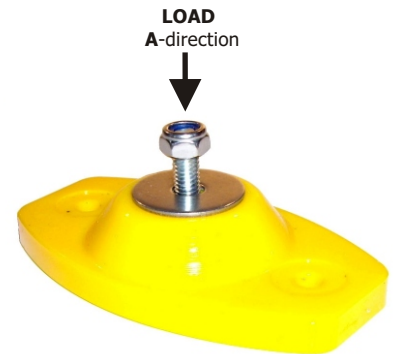
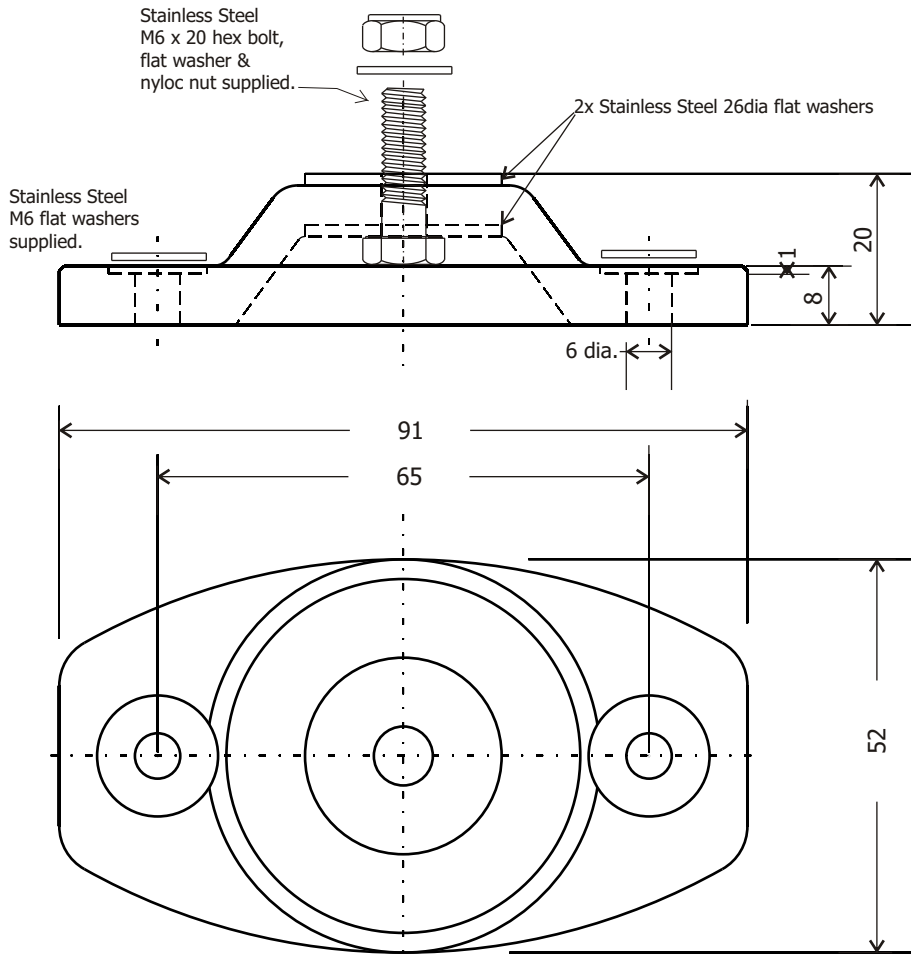
'M6' = model number
 '6' = thread size
 'B' = bolt type

Resilient Element Colour	Shore Durometer Hardness A-scale SDH-A
Yellow	50
Red	60

All metal components stainless steel



Graph:
 1. Static Axial Vertical Load [kg] (A-direction) versus Deflection [mm] (ins)



Model Number: M6-6B(50)

IsoFlex Mount Model number: **M6-6B**

Dimensions in millimetres (mm.) - unless stated otherwise

Drawing number: DSA-M6-6
 Drawn: PB Date: 8-6-06

Copyright © 2006 **IsoFlex Technologies Pty Ltd.**

Specifications are subject to change without notice.