



IsoFlex Technologies Pty Ltd.

Unit 33, 75 Waterway Drive, Gold Coast Marine Precinct, Coomera, Queensland, Australia. 4209
 Ph: 1300 366 393 Ph: 07 555 60 924 F: 07 555 60 984 Int prefix: 617
 Email: info@isoflex.com.au
 Home Page: www.isoflex.com.au

IsoFlex Mount Data Sheet

Loading Type:

Axial - Vertical Down (A-direction)

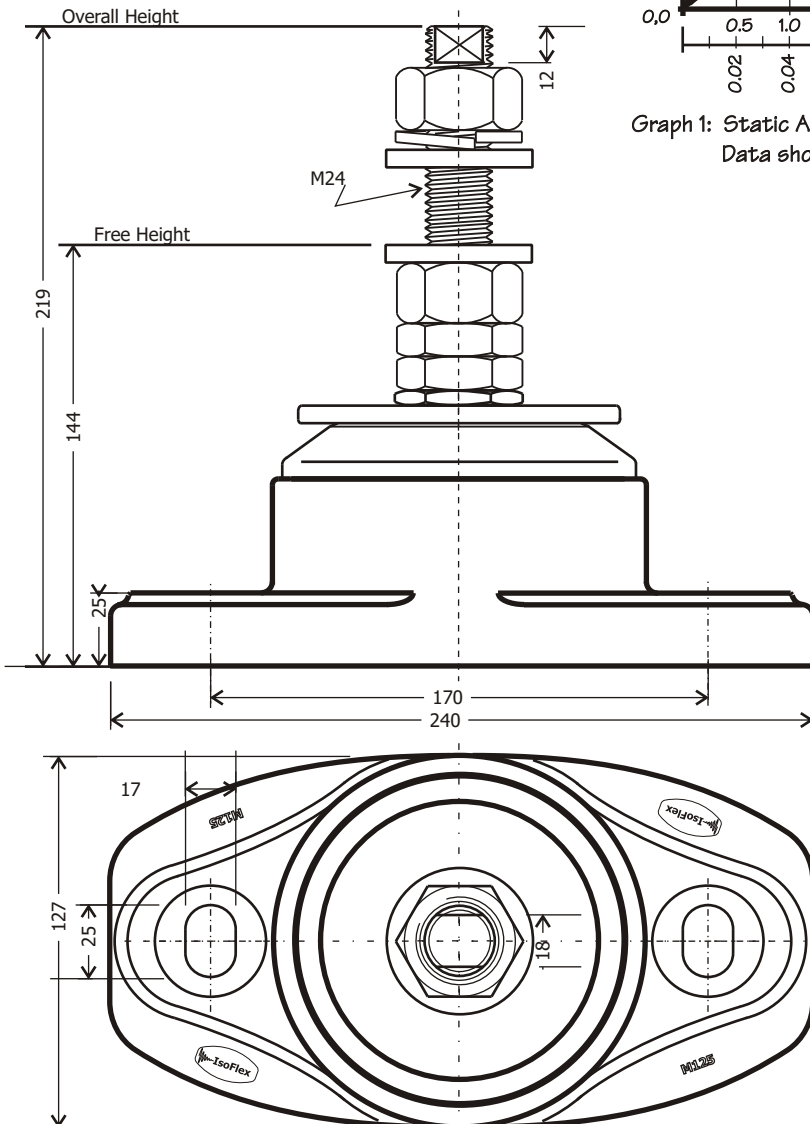
Mount Model: M125XHD-24S+snubber(90)

'M125XHD' = model number
 '24' = thread size
 'S' = adjusting stud type

Resilient Element Colour	Shore Durometer Hardness A-scale SDH-A
Yellow	50
Red	60
Black	70
Royal Blue	75
Green	80
Grey	90

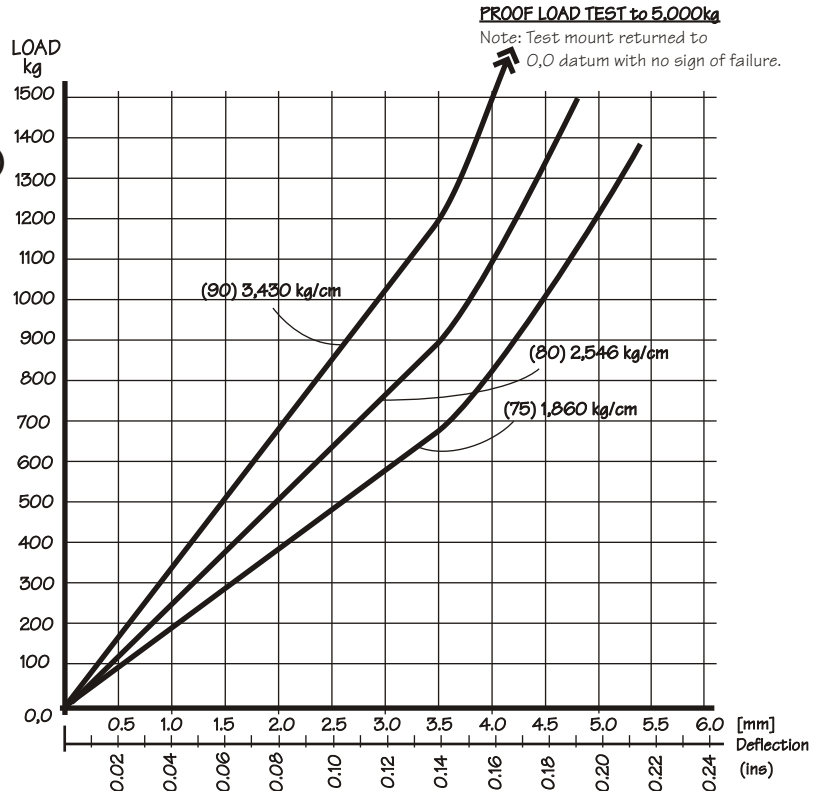
Base: Black - 75 SDH-D

All metal components silver zinc plated

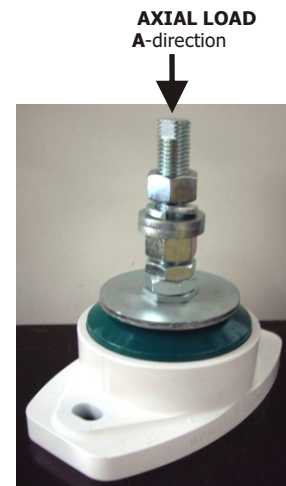


M125XHD-24S General Arrangement

Dimensions in millimetres (mm.) - unless stated otherwise



Graph 1: Static Axial Vertical Load[kg] (A-direction) versus Deflection[mm] (ins)
 Data shown: (x) = SDH-A Hardness
 kg/cm = Spring Rate for working load range.



Drawing number: DSA-M125XHD-24S+snubber(90)
 Drawn: PB Date:7-12-07

Copyright © 2007 **IsoFlex Technologies Pty Ltd.**

Specifications are subject to change without notice.